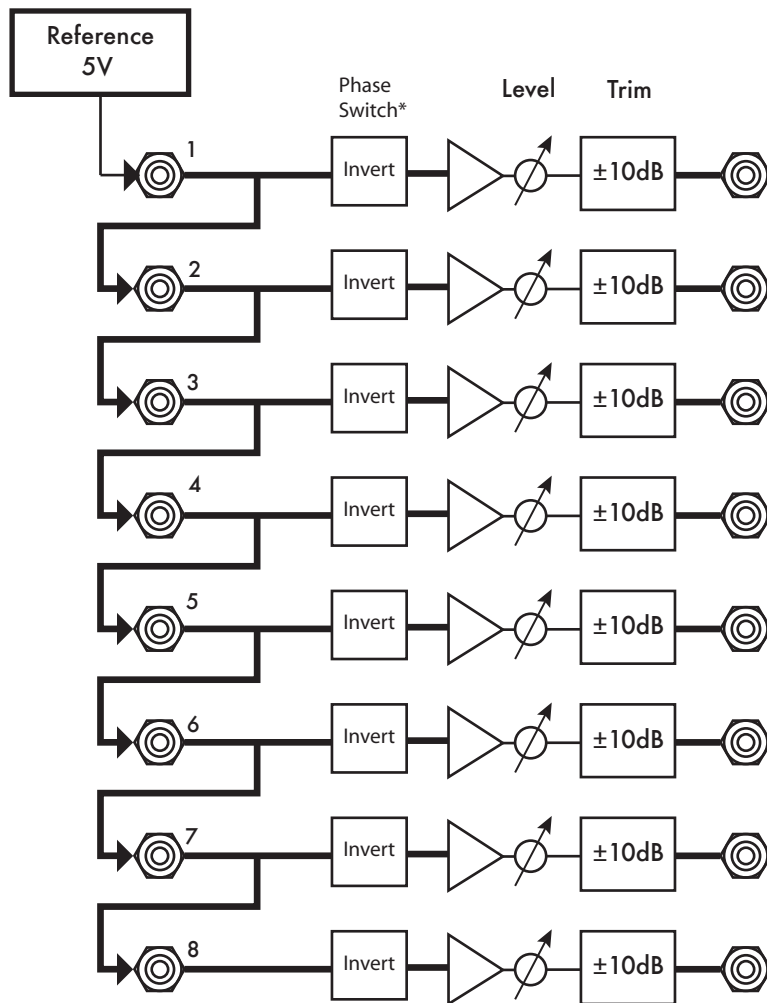


# Octal Trimmer Signal Paths



\* on Invertrimmer models

— = Balanced pair