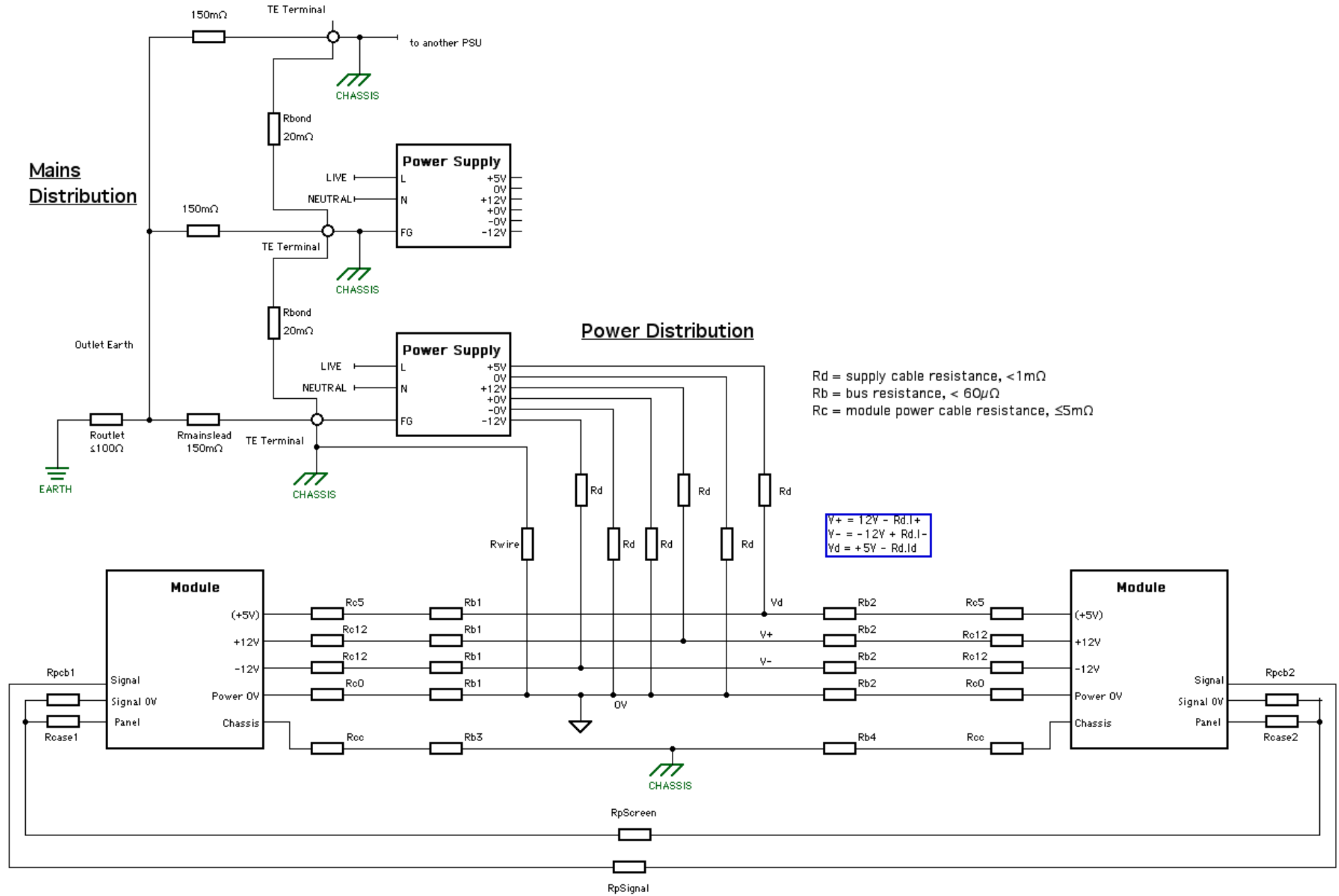


# Chassis Bonds



$R_d$  = supply cable resistance,  $< 1m\Omega$   
 $R_b$  = bus resistance,  $< 60\mu\Omega$   
 $R_c$  = module power cable resistance,  $\leq 5m\Omega$

$$\begin{aligned}
 V_+ &= +12V - R_d.I_+ \\
 V_- &= -12V + R_d.I_- \\
 V_d &= +5V - R_d.I_d
 \end{aligned}$$

## Patchlead