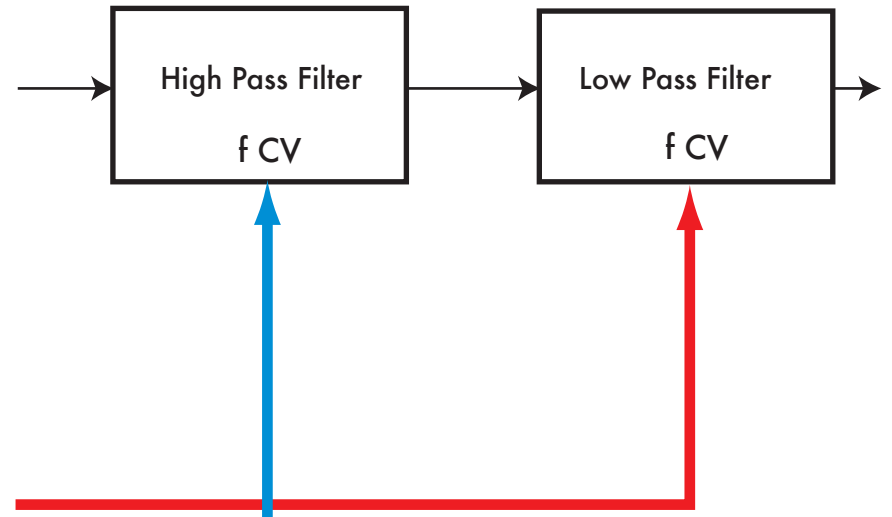
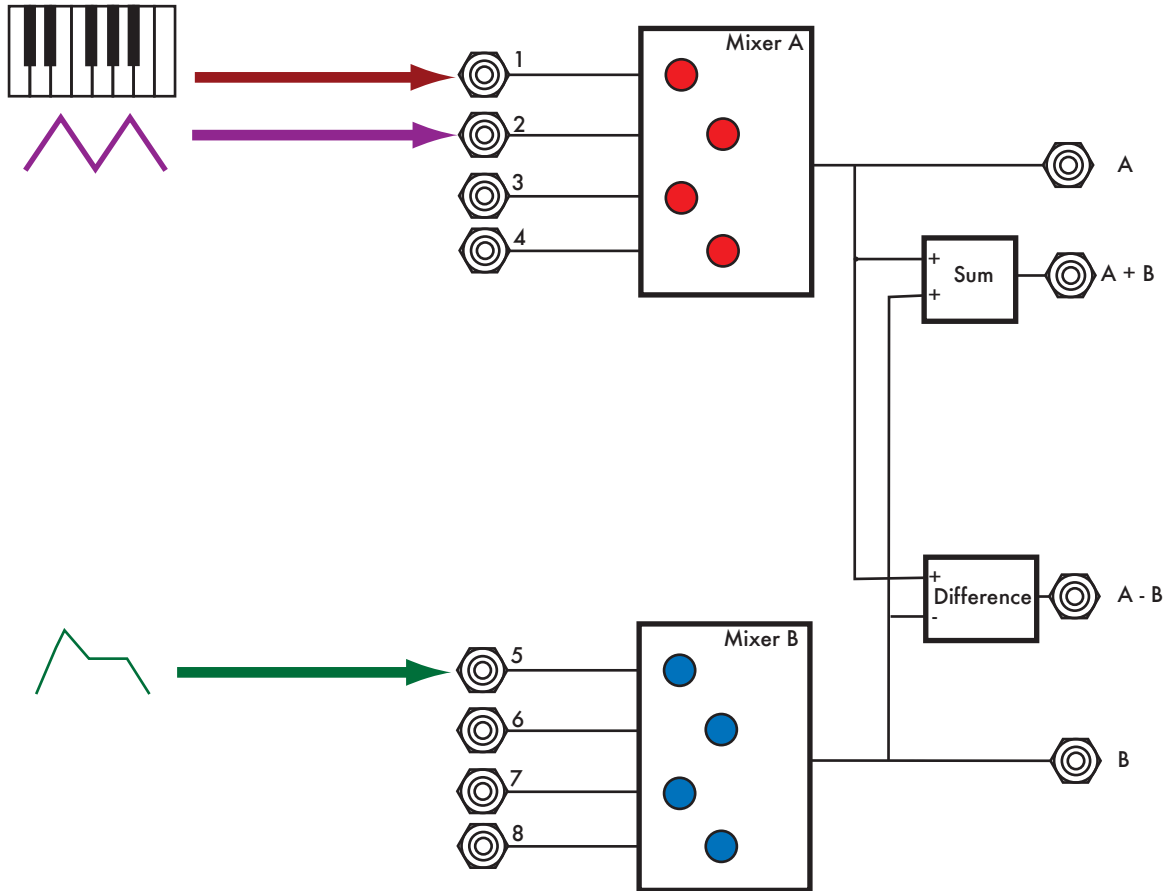


SubMix Signal Paths



Inputs into Mixer A control filter frequencies in tandem
Inputs into Mixer B change the bandwidth difference

Use another SubMix for signal mixing into filters

Ganged Filter Modulation